



KCT-02.1 SR USER MANUAL

- ENG** OWNER'S MANUAL
- ESP** MANUAL DE USUARIO
- FRA** MANUEL DE L'UTILISATEUR



IMPORTANT NOTE:

BUTTONS DESIGN IS BASED ON TYPICAL MODEL AND MIGHT BE SLIGHTLY DIFFERENT FROM THE ACTUAL ONE YOU PURCHASED. THE ACTUAL SHAPE SHALL PREVAIL.

ALL THE FUNCTIONS DESCRIBED ARE ACCOMPLISHED BY THE UNIT. IF THE UNIT HAS NO THIS FEATURE, THERE IS NO CORRESPONDING OPERATION HAPPENED WHEN PRESS THE RELATIVE BUTTON ON THE REMOTE CONTROLLER.

WHEN THERE ARE WIDE DIFFERENCES BETWEEN REMOTE CONTROLLER ILLUSTRATION AND USER'S MANUAL ON FUNCTION DESCRIPTION, THE DESCRIPTION OF USER'S MANUAL SHALL PREVAIL.

IMPORTANTE:

EL DISEÑO DE LOS BOTONES SE BASA EN EL MODELO ESTÁNDAR Y PUEDE SER LIGERAMENTE DIFERENTE DEL QUE HAYA ADQUIRIDO, LA FORMA REAL PREVALECEERÁ.

TODAS LAS FUNCIONES DESCRITAS SE LLEVAN A CABO POR LA UNIDAD. SI LA UNIDAD NO TIENE ESTA CARACTERÍSTICA, NO HABRÁ NINGUNA OPERACIÓN CORRESPONDIENTE CUANDO PULSE EL BOTÓN CORRESPONDIENTE EN EL MANDO A DISTANCIA.

SI HAY GRANDES DIFERENCIAS ENTRE LA ILUSTRACIÓN DEL CONTROL REMOTO Y EL MANUAL DEL USUARIO O EN LAS FUNCIONES DESCRITAS, LA DESCRIPCIÓN DEL MANUAL DEL USUARIO PREVALECEERÁ.

IMPORTANT:

LES TOUCHES SONT BASÉES SUR UN MODÈLE TYPIQUE ET POURRAIT ÊTRE LÉGÈREMENT DIFFÉRENTE DE LA TÉLÉCOMMANDE RÉELLE QUE VOUS AVEZ ACHETÉ, LA FORME RÉELLE PRÉVAUDRA

TOUTES LES FONCTIONS DÉCRITES SONT RÉALISÉES PAR L'APPAREIL. SI L'UNITÉ N'A PAS DE CE FONCTION, IL N'Y A PAS DE FONCTION DEMANDÉE LORSQUE VOUS APPUYEZ SUR LA TOUCHE DE LA TÉLÉCOMMANDE.

LORSQUE IL Y A DE GRANDES DIFFÉRENCES ENTRE LES ILLUSTRATIONS DE LA TÉLÉCOMMANDE ET LE MANUEL D'UTILISATEUR SUR LES DESCRIPTIONS DES FONCTIONNES, LA DESCRIPTION DU MODE D'EMPLOI PRÉVAUDRA.

frigicoll



OPERATION MANUAL



Touch- style key wired controller
KCT-02.1 SR



frigicoll



CONTENTS


1. Safety Precautions.....	5
2. Model and Specification	6
3. Buttons And Their Functions	7
4. Installation	10
5. Wiring.....	11


1. Precautions

The following contents are stated on the product and the operation manual, including usage, precautions against personal harm and property loss, and the methods of using the product correctly and safely. After fully understanding the following contents (identifiers and icons), read the text body and observe the following rules.

 Warning	Means improper handling may lead to personal severe injury.
 Caution	Means improper handling may lead to personal injury o property loss.

Icon	Meaning
	It indicates forbidding. The forbidden subject-matter is indicated in the icon or by images or characters aside.
	It indicates compulsory implementation. The compulsory subject-matter is indicated in the icon or by images or characters aside.

 Warning	Delegate installation	Please entrust the distributor or professionals to install the unit. The installers must have the relevant know-how. Improper installation performed by the user without permission may cause fire, electric, shock, personal injury or water leakage.

 Usage Warning	Forbid	Do not spray flammable aerosol to the wire controller directly. Otherwise, fire may occur.
	Forbid	Do not operate with wet hands or let water enter the wire controller. Otherwise, electric shock may occur.

2. Model And Specification

Model	KCT-02.1 SR KJR-29B
Power Supply Voltage	5.0V DC
Ambient Temperature Range	-5°C~+43°C
Ambient Humidity Range	RH40%~RH90%

Performance features

1. Operating mode: Cool, heat, dry, fan and auto.
2. Set the mode through buttons.
3. Indoor setting temperature range: 17°C ~30°C.
4. LCD (Liquid Crystal Display).
5. Touch-style key

Function summarize

KCT-02.1 SR is the touch-style key wired controller.

New function	Basic function
Air filter cleaning reminding function	ON and OFF the air-conditioner
Indoor unit address setting function	Auto-restart function
Remote control receiver function	Time ON and Time OFF setting
Lock the wired controller	Clock setting
Quiet operation	Setting the Operating mode, Temperature
Follow me	Fan speed and Swing functions

3. Buttons And Their Functions



(1) Remote signal receiving function

There is the signal receiver for wireless remote controller on the KJR-29B. You can use the wireless remote controller to control the air-conditioner through the wired remote controller when the system has been powered on.

Notes: The wired controller will not receive the swing controlling instruction. For the indoor unit with swinging function, you can directly use the remote controller to control swinging through the display panel of the indoor unit, or use the swing button on the wired remote controller to control the indoor unit for swinging.

(2) ON/OFF button

Press the ON/OFF button to control the indoor unit on and off status. When the unit is turned off, press the ON/OFF button, the unit will be turned on and the operating icon lights up. When the unit is turned on, press the ON/OFF button, the unit will be turned off and the operating icon lights off.

(3) Mode button

Press the mode button to set the operating mode, after each button press the operation mode will circle as follow:



When the controller has been set to cool-only, then there is no HEAT mode.

(4) Fan speed setting

Under COOL, HEAT and FAN modes, press the fan speed button can adjust the fan speed setting. After each fan speed button press will circle as follow:



Under AUTO and DRY modes, the fan speed is not adjustable and the default fan speed is auto.

(5)Temperature setting

Under AUTO, COOL, DRY, HEAT modes, press the Temp adjust Up/Down buttons to set the temperature, the adjusting range is 17°C~30°C (or 62°F~88°F). The setting temperature cannot be adjusted under FAN mode.

(6)Timer on and Timer off setting

Press the timer/clock setting button, then enter into the timer on setting status, and the screen will

display timer icon  and .

You can press Temperature setting buttons to adjust the time. When the time setting is less than 10 hours, each press the Temp setting buttons will increase or decrease 0.5 hour. When the timer setting is more than 10 hours, each press Temp setting buttons will increase or decrease 1 hour, the maximum timer setting is 24 hours. After finish adjusting the time on setting, press the 26°C/OK button or wait for 5 seconds to confirm and exit the time on setting.

Notes: If the wired remote controller has been set timer on/ off, press the ON/OFF button to turn on/ turn off the unit then the timer will be canceled simultaneously.

(7) Clock setting

Long press the timer/clock setting button for 3 seconds, and then enter into the clock setting status. The hour position of the clock will flash, and can press Temp setting buttons to adjust the hour value.

After finish the hour setting, press left button or right button to switch to minute position setting, then the minute position will flash, press Temp setting buttons to adjust the minute value. After finish the clock setting, press the button or wait for 5seconds to confirm and exit the setting state.

(8)Quiet/OK button

Under the cooling, heating and auto mode, when operate the quiet mode, it can reduce the running noise through setting the fan speed to low. This will help you bring a quieter environment. Under AUTO, DRY mode, the fan speed is auto and the Quiet /OK button doesn't work.

(9) Wired controller locking

Press the temperature adjusting UP and DOWN buttons simultaneously, the wired controller enters into locking state, and the locking icon will be lighted up. Under the locking state, the wired controller will not respond to buttons by pressing and the control instruction from the wireless remote controller. Simultaneously press temperature adjusting buttons again will cancel the locking state.

(10) Air filter cleaning reminding function

The wired controller records the total running time of the indoor unit, when the accumulated running time reaches the pre-set value, air filter cleaning reminding icon will be lighted up, to remind that the air filter of the indoor unit needs to be cleaned. Long press left button for 3 seconds, and clear the reminding icon and the wired controller will re-accumulate the total running time of the indoor unit.

Notes: The default setting value of reminding function is 2500 hours, and it can change to be 1250 hours, 5000 hours or 10000 hours. The setting methods please refer to the installation manual.

(11) Swing function

If the indoor unit supports swing function, press the right button to adjust the air outlet direction of the indoor unit. Long press this button for 3 seconds can turn on or turn off the auto-swing function. When the auto-swing function is turned on, the swing icon will be lighted up.

(12) Follow me function

When the system is running and the operating mode is AUTO, COOL or HEAT, press the left button will activate the Follow Me function. Press left button again will cancel follow me function. When the operating mode is changed, and then will cancel this function as well. When the Follow Me function is activated, the icon will be light up, and the wired controller will display room temperature read from the local sensor, and transmit the temperature value to the indoor unit every 3 minutes.

(13) Setting addresses

- Press the Temp. UP and DOWN button simultaneously for more than 8 seconds, then the controller gets into address setting mode.
- In the address setting mode, there are 2 main functions:
- Querying address: Press MODE button, the corresponding indoor unit will display its address.
- Setting address: Use the UP and DOWN buttons to choose an address you want. Then press the FAN button to set the indoor unit's address. The corresponding indoor unit will display the new address and record it. After about 4 seconds, this displaying will fade out and indoor units turn to normal display mode.
- After setting addresses, users can press the Quiet/OK button can exit the address setting mode.
- After each setting address and enter the query / set mode again, it will display the last set of address, but if re-power, this address will be cleared.
- In the address setting mode, wired controller does not respond to any command from remote controller.

4. Installation

※ **Preparation before Installation:**

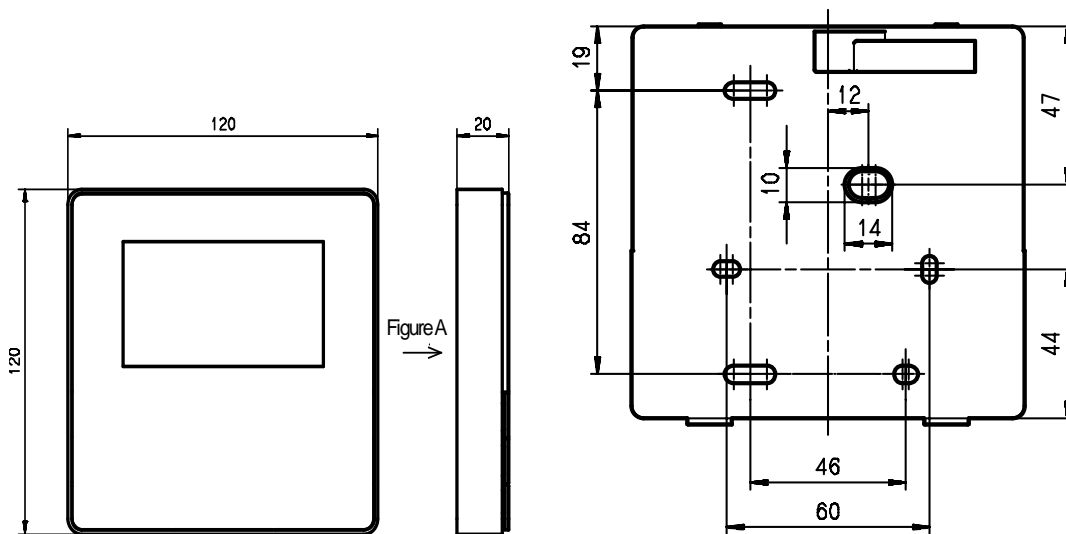
Make sure the following parts has been prepared.

NO.	Name	QTY.	Remarks
1	Wired Controller	1	/
2	Cross round heat wood Mounting Screw	3	M4x20(For mounting on the wall)
3	Cross round heat mounting Screw	2	M4x25(For mounting on the electrical switch box)
4	Installation Manual	1	/
5	Owner's Manual	1	/
6	Plastic expansion pipe	3	For mounting on the Wall
7	Plastic screw bar	1	For fixing on the 86 electrician box
8	Switching wires for signal receiving board	1	For connecting the signal receiving board and 4-core shielding wire
9	Switching wires for wired controller signal	1	(If needed) For connecting the main control panel and 4-core shielding wire

※ **Prepare for the following at installation site.**

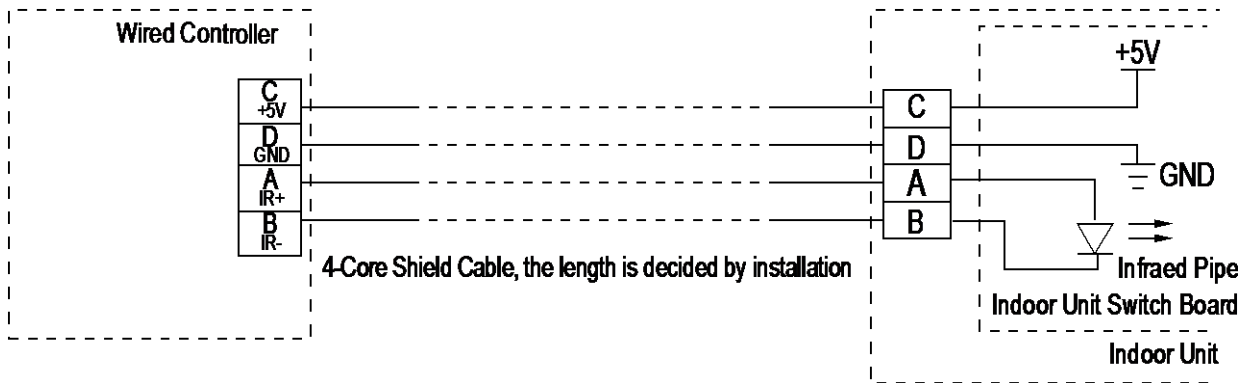
NO.	Name	Qty.(embedded into wall)	Specification remarks (only for reference)	Remarks
1	4-core Shield Cable	1	RVVP-0.5 mm ² ×4	0.05 mm ² ×5 cable no more than 12M
2	86 electrician box	1	/	/
3	Wiring Tube(Insulating Sleeve and Tightening Screw)	1	/	/

※ **Dimensions:120*120*20mm**



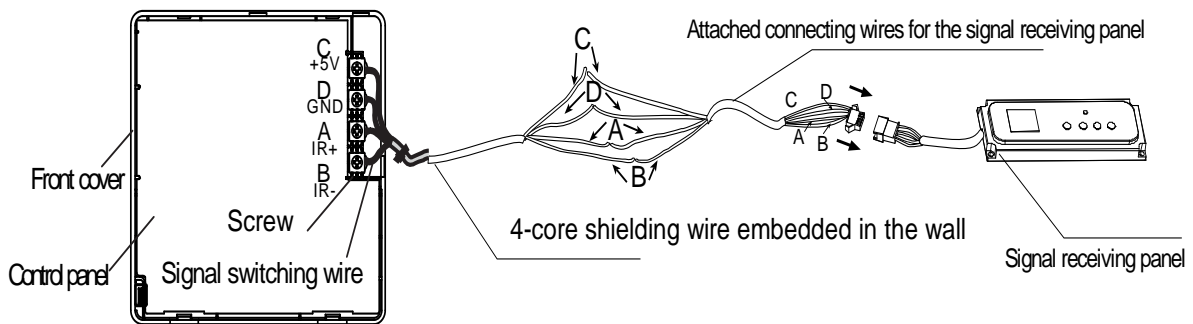
5. Wiring

※ **Wiring principle sketch:**

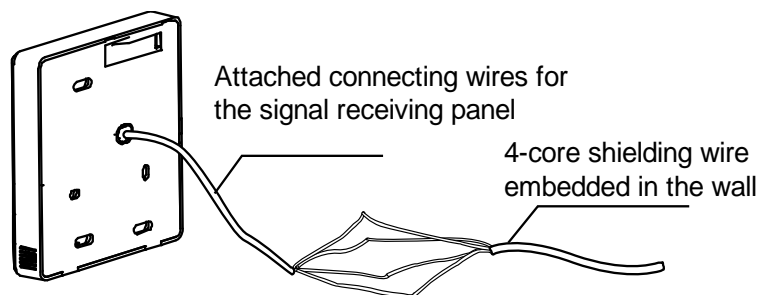


※ **Wiring figure:**

- 1) Connect two terminals of embedded 4-core shielding wire with the switching wires of wired remote controller and signal receiving board. Make sure the sequence of 4 terminals (A/B/C/D) should correspond to the wire sequence of signal switching wires (A/B/C/D).

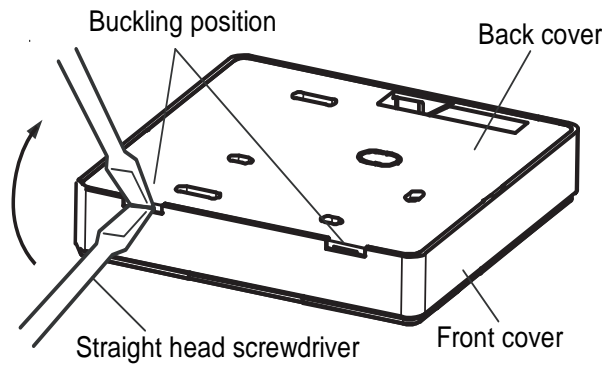


- 2) If embedded 4-core shielding wire cannot go through the wired controller, it can use signal switching for connection and make sure the wires are reliable and firm. The tightening torque range of the screw is 0.8~1.2N .m (8~12 kgf . cm).

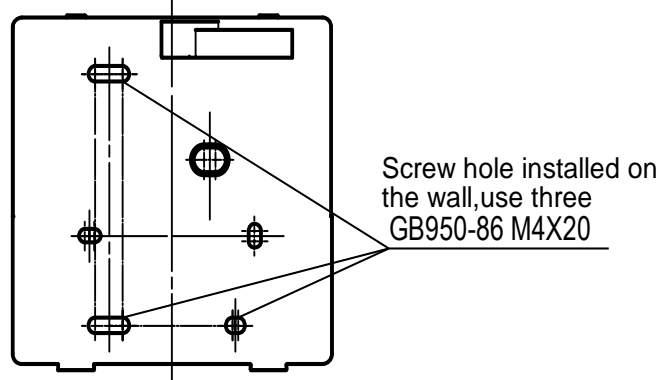


※ **Back cover installation**

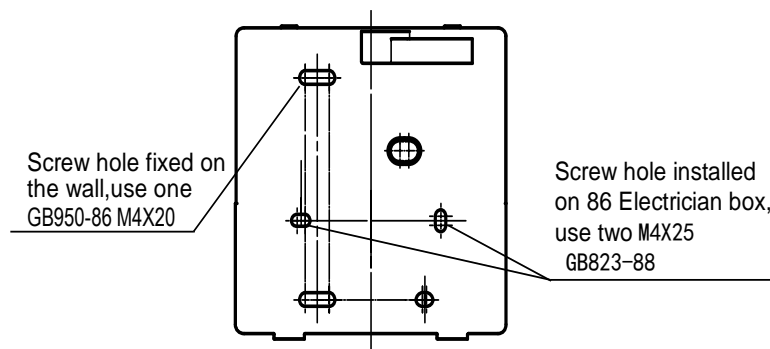
- 1) Use straight head screwdriver to insert into the buckling position in the bottom of a wired controller, and spin the screwdriver to take down the back cover. (Pay attention to spinning direction, if not you maybe damage the back cover.)



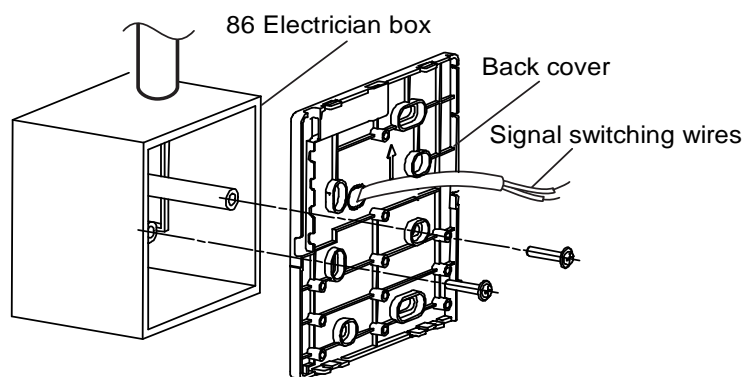
2) Use three GB950-86 M4X20 screws to directly install the back cover on the wall.



3) Use two M4X25 GB823-88 screws to install the back cover on the 86 electrician box, and use one GB950-86 M4X20 screw for fixing the wall.



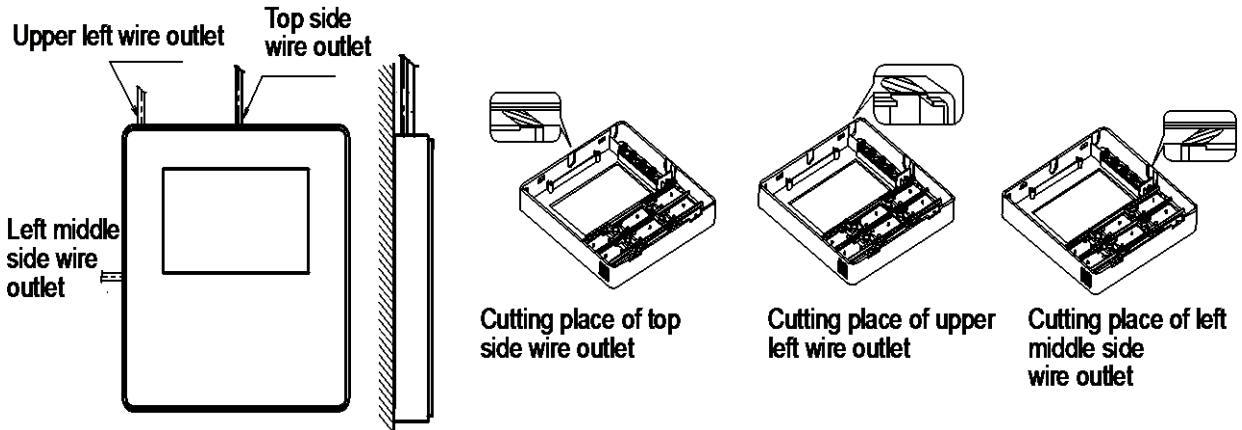
4) Adjust the length of two plastic screw bars in the accessory to be the standard length from the electrical box screw bar to the wall. Make sure when install the screw bar to the electrical box screw bar, make it as flat as the wall.



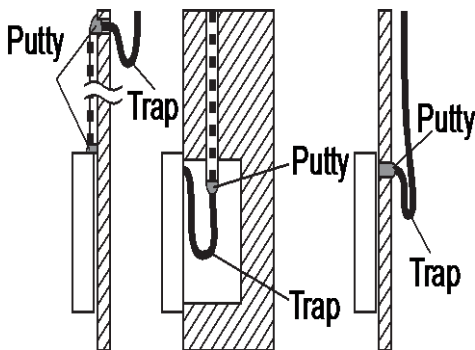
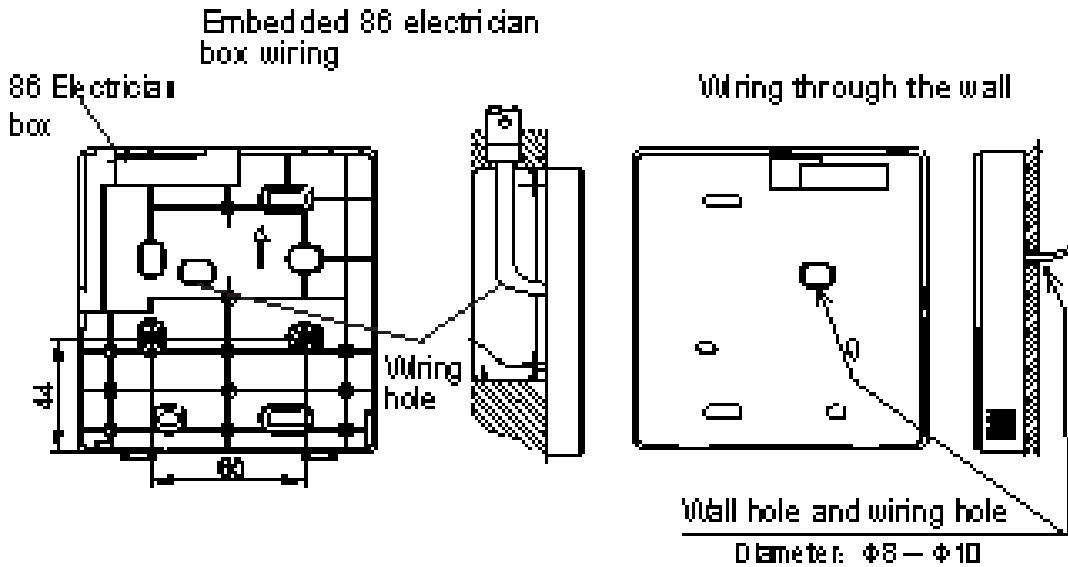
- Notes:** 1. Use cross head screws to fix the wired controller bottom cover in the electric control box through the screw bar. Make sure the wired controller bottom cover is on the same level after installation, and then install the wired controller back to the bottom cover.
2. Over fasten the screw will lead to deformation of the back cover.

※ **Wiring**

1) Wiring, three outlet positions



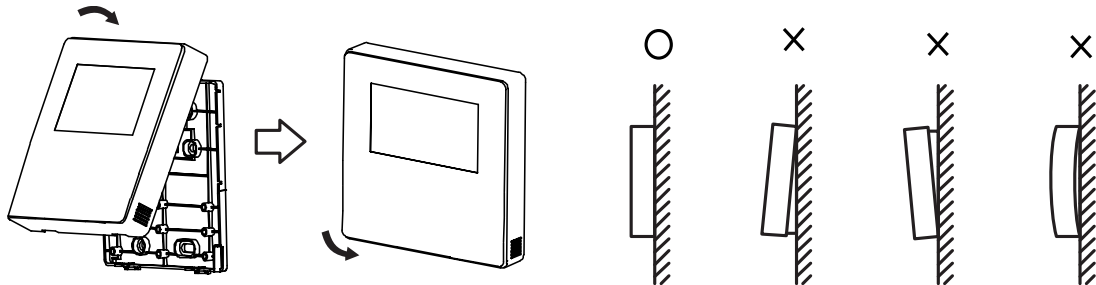
2) Shielded wiring



- 3) Avoid water enters into the wired controller, use trap and putty to seal the connectors of wires during wiring installation.
- When under installation, reserve a certain length of the connecting wire for convenient to take down the wired controller while during maintenance.

※ **Front cover installation**

- 1) After adjusting the front cover and then buckle the front cover; avoid clamping the communication switching wire during installation.
- 2) Correct install the back cover and firmly buckle the front cover and back cover, if not you maybe make the front cover drop off.



※ **Wired controller initial parameters setting:**

1. Change the related functions of the controller through adjusting the initial parameters, details refer to table 1
2. The wired controller initial parameter includes two codes "XY", the first code "X" means function class, and the second code "Y" means the detailed configuration of this function.
3. Setting method:
 - 1) Simultaneously press "Mode" and "Fan" button of the wired controller for 5 seconds to enter the parameter setting state;
 - 2) The value of this first code "X" is "0"; press the temperature setting button UP and DOWN to adjust the second code value;
 - 3) After setting the second code value, press 26/OK button to switch the first code to the next value;
 - 4) When the first code value is "6", press 26/OK button again to exit the parameters setting.
4. The parameters setting function only under the situation which needs to adjust the default functions' setting states; otherwise there is no need to do the setting.

Table 1

First code	Functions	Second code				
		0	1	2	3	4
0	Cool-only/ Cool-Heat selection	Cool-Heat (Default)	Cool-only	/		/
1	Indoor unit communication address setting	Yes (Default)	None	/	/	/
2	Auto-restart	Yes (Default)	None	/	/	/
3	Air filter cleaning reminding function	Cancel the reminding function	1250 hours	2500 hours (Default)	5000 hours	10000 hours
5	Remote receiving function	Yes (Default)	None	/	/	/
6	Centigrade/ Fahrenheit display	Centigrade	Fahrenheit	/	/	/

**CONTROLEUR CABLE A TOUCHE TACTILE****KCT-02.1 SR****frigicoll**

KCT-02.1 SR

Spécifications du contrôleur câblé

Modèle	KCT-02.1 SR
Tension d'alimentation électrique	5,0 V cc
Plage de température ambiante	-5° C à +43° C
Plage d'humidité ambiante	40 % HR à 90 % HR

Caractéristiques de performance

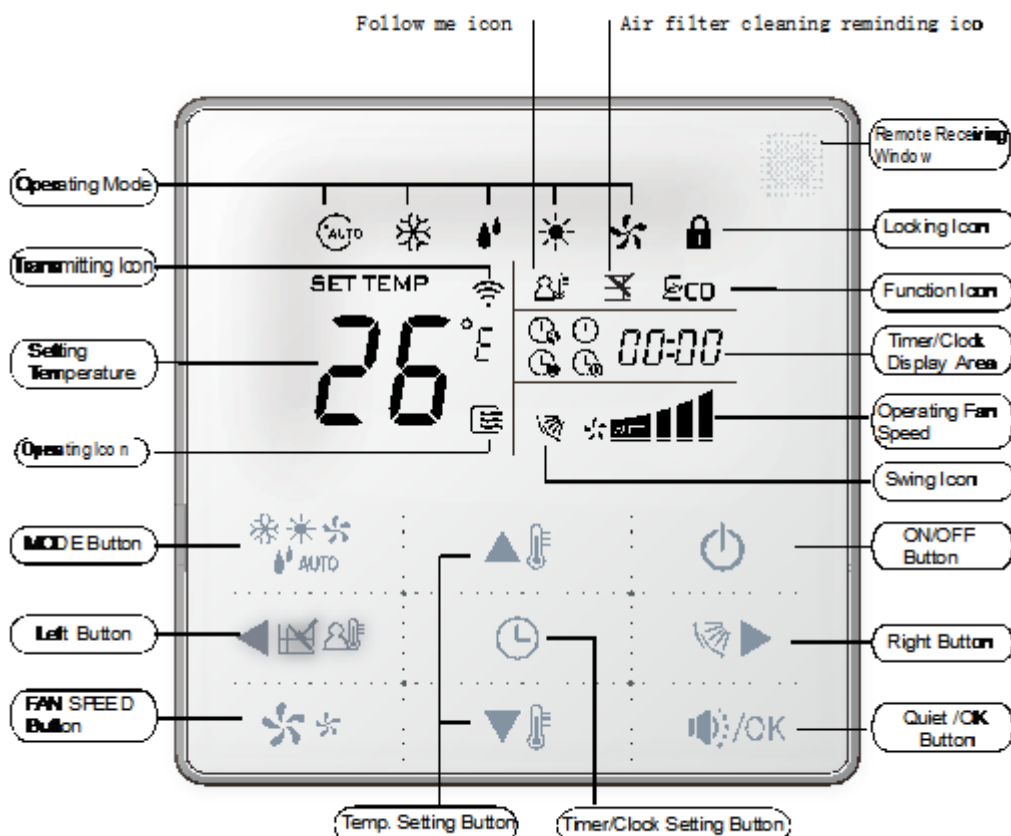
1. Mode de fonctionnement : climatisation, chauffage, séchage, ventilation et auto.
2. Régler les modes à l'aide des boutons.
3. Plage de réglage de la température intérieure : 17° C à 30° C.
4. LCD (affichage à cristaux liquides).
5. Touche tactile

2.3.1 Résumé des fonctions

KJR-29B désigne le contrôleur câblé à touche tactile.

Nouvelle fonction	Fonction de base
Fonction de rappel de nettoyage du filtre à air	Allumage et arrêt du climatiseur
3.10 Fonction de configuration d'adresse de l'unité intérieure	Fonction de redémarrage automatique
Fonction de réception du climatiseur	Configuration de l'activation et de la désactivation du temporisateur
Verrouillage du contrôleur câblé	Réglage de l'horloge
Fonctionnement silencieux	Réglage des fonctions mode de fonctionnement, température
Follow me	vitesse du ventilateur et balayage

2.3.2 Apparence du contrôleur câblé



(1) Fonction de réception du signal distant

Il existe un récepteur de signaux pour la télécommande sans fil du contrôleur KJR-29B. Vous pouvez utiliser la télécommande sans fil pour contrôler le climatiseur via la télécommande câblée lorsque le système est mis sous tension.

Remarques : Le contrôleur câblé ne recevra pas d'instruction de contrôle du balayage. Pour l'unité intérieure dotée de la fonction de balayage, vous pouvez utiliser directement la télécommande pour contrôler le balayage via le panneau d'affichage de l'unité intérieure, ou utiliser le bouton de balayage sur la télécommande câblée pour contrôler le balayage de l'unité intérieure.

(2) Bouton ON/OFF

Appuyez sur le bouton ON/OFF pour contrôler l'état d'activation et de désactivation de l'unité intérieure. Lorsque l'unité est éteinte, appuyez sur le bouton ON/OFF, l'unité s'allume et l'icône de marche s'allume. Lorsque l'unité est allumée, appuyez sur le bouton ON/OFF, l'unité s'éteint et l'icône de marche s'éteint.

(3) Bouton MODE

Appuyez sur le bouton Mode pour régler le mode de fonctionnement. Après avoir appuyé sur chaque bouton, le mode de fonctionnement sera entouré comme suit :



Lorsque le contrôleur a été réglé sur Climatisation seulement, alors il ne contient pas de mode HEAT (chauffage).

(4) Réglage de la vitesse du ventilateur

Sous les modes COOL, HEAT et FAN, le fait d'appuyer sur le bouton de réglage du ventilateur peut régler la vitesse du ventilateur consignée. Après avoir appuyé sur chaque bouton de vitesse du ventilateur, le cercle suivant apparaît :



AUTO→LOW→MID→HIGH→AUTO

Sous les modes AUTO et DRY, la vitesse du ventilateur n'est pas réglable, et la vitesse du ventilateur par défaut est Auto.

(5) Réglage de température

Sous les modes AUTO, COOL, DRY et HEAT, appuyez sur les boutons Haut/Bas pour régler la température. La plage de réglage se situe entre 17 °C et 30 °C (ou 62 °F et 88 °F). La température de consigne ne peut être réglée sous le mode FAN.

(6) Configuration de l'activation et de la désactivation du temporisateur (Timer On / Timer Off)

Appuyez sur le bouton de réglage du temporisateur/de l'horloge, passez à l'état d'activation du temporisateur, et l'écran affichera l'icône du temporisateur  et  .

Vous pouvez appuyer sur les boutons de réglage de température pour régler l'heure. Lorsque le temporisateur est réglé sur moins de 10 heures, chaque pression des boutons de réglage de température augmente ou diminue de 0,5 h. Lorsque le temporisateur est réglé sur plus de 10 heures, chaque pression des boutons de réglage de température augmente ou diminue de 1 h. Le temporisateur peut être réglé sur un maximum de 24 heures. Après avoir terminé de régler l'activation du temporisateur, appuyez sur le bouton 26°/OK ou patientez 5 secondes pour confirmer et quitter l'activation de temporisation.

Remarques : Si le contrôleur câblé est réglé sur temporisateur activé/désactivé, appuyez sur le bouton ON/OFF pour activer/désactiver l'unité, et le temporisateur sera annulé simultanément..

(7) Réglage de l'horloge

Appuyez longuement sur le bouton de réglage du temporisateur/l'horloge pendant 3 secondes, et passez à l'état de réglage de l'horloge. La position des heures de l'horloge clignote, et vous pouvez appuyer sur les boutons de réglage de température pour régler la valeur des heures.

Après avoir terminé le réglage de l'heure, appuyez sur le bouton gauche ou le bouton droit pour basculer au réglage de la position des minutes. Lorsque la position des minutes clignote, appuyez sur les boutons de réglage de température pour régler la valeur des minutes. Après avoir terminé le réglage de l'horloge, appuyez sur le bouton ou patientez 5 secondes pour confirmer et quitter l'état du réglage.

(8) Bouton Silencieux/OK (Quiet/OK)

Sous le mode climatisation, chauffage et auto, lorsque vous utilisez le mode silencieux, il est possible de réduire le bruit de fonctionnement en réglant la vitesse du ventilateur à une vitesse faible. Cela vous permettra d'avoir un environnement plus silencieux.

Sous le mode AUTO, DRY, la vitesse du ventilateur est automatique, et le bouton Silencieux/OK ne fonctionne pas.

(9) Verrouillage du contrôleur câblé

Appuyez simultanément sur les boutons Haut et Bas de réglage de température, le contrôleur câblé passe à l'état de verrouillage, et l'icône de verrouillage s'allume. Sous l'état de verrouillage, le contrôleur câblé ne répondra pas à la pression des boutons et à l'instruction de commande de la télécommande sans fil. Pour annuler l'état de verrouillage, appuyez de nouveau simultanément sur les boutons de réglage de température.

(10) Fonction de rappel de nettoyage du filtre à air

Le contrôleur câblé enregistre le temps de fonctionnement total de l'unité intérieure ; lorsque le temps de fonctionnement accumulé atteint la valeur pré-réglée, l'icône de rappel de nettoyage du filtre à air s'allume pour rappeler à l'utilisateur que le filtre à air de l'unité intérieure doit être nettoyé. Appuyez longuement sur le bouton gauche pendant 3 secondes, et effacez l'icône de rappel. Le contrôleur sans fil accumulera à nouveau le temps de fonctionnement total de l'unité intérieure.

Remarques : La valeur de réglage par défaut de la fonction de rappel est 2 500 heures ; elle peut être modifiée sur 1 250 heures, 5 000 heures ou 1 000 heures. Pour les méthodes de réglage, veuillez consulter le manuel d'installation.

(11) Fonction de balayage (Swing)

Si l'unité intérieure prend en charge la fonction de balayage, appuyez sur le bouton droit pour régler la direction de sortie d'air de l'unité intérieure. Le fait d'appuyer longuement sur ce bouton pendant 3 secondes peut activer ou désactiver la fonction de balayage automatique. Lorsque la fonction de balayage automatique est activée, l'icône de balayage sera allumée.

(12) Fonction Follow Me

Lorsque le système est en marche et que le mode de fonctionnement est AUTO, COOL ou HEAT, appuyez sur le bouton gauche pour activer la fonction Follow Me. Appuyez de nouveau sur le bouton gauche pour annuler la fonction Follow Me. Lorsque vous changez le mode de fonctionnement, cette fonction est aussi annulée. Lorsque la fonction Follow Me est activée, l'icône s'allume, et le contrôleur câblé affiche l'indication de température ambiante du capteur local, et transmet la valeur de température à l'unité intérieure toutes les 3 minutes.

(13) Configuration des adresses

- Appuyez simultanément sur les boutons HAUT et BAS de réglage de température pendant plus de 8 secondes, le contrôleur passe au mode de configuration d'adresse.
- Le mode de configuration d'adresse contient 2 fonctions principales :
- Recherche d'adresse : Appuyez sur le bouton MODE, l'unité intérieure correspondante affiche son adresse.
- Configuration de l'adresse : Utilisez les boutons HAUT et BAS pour choisir l'adresse que vous souhaitez. Appuyez ensuite sur le bouton FAN pour configurer l'adresse de l'unité intérieure. L'unité intérieure

correspondante affiche la nouvelle adresse et l'enregistre. Après environ 4 secondes, cet affichage disparaît progressivement et les unités intérieures retournent au mode d'affichage normal.

- Après avoir configuré les adresses, les utilisateurs peuvent appuyer sur le bouton Silencieux/OK pour quitter le mode de configuration d'adresse.
- Après avoir configuré chaque adresse et accédé de nouveau au mode de rechercher/configurer, la dernière adresse configurée s'affiche. Mais si le système est remis sous tension, cette adresse sera effacée.
- Dans le mode de configuration d'adresse, le contrôleur câblé ne répond à aucune commande provenant de la télécommande.

2.3.3 Installations

✘ Préparation avant installation :

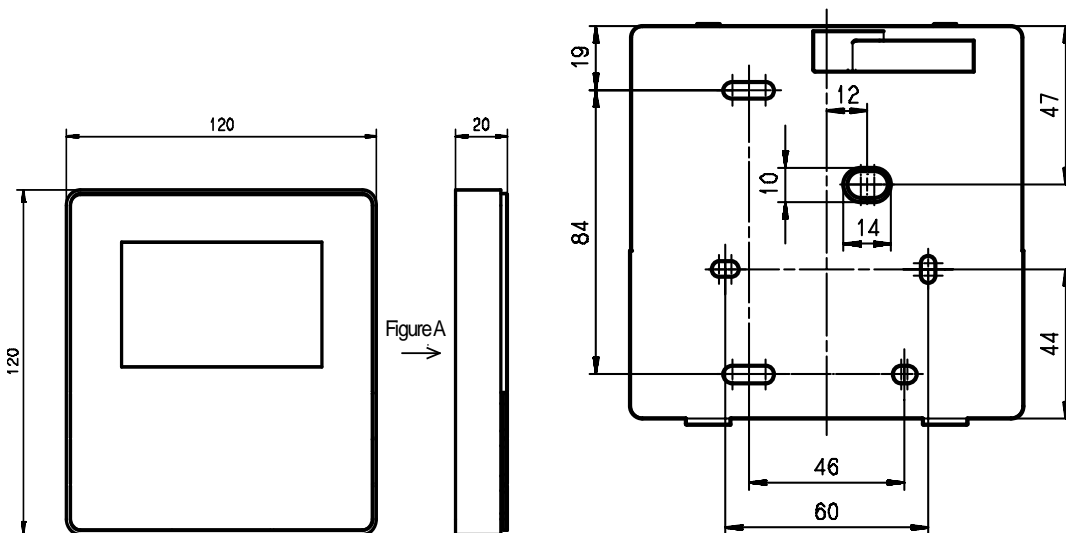
Assurez-vous de préparer les pièces suivantes.

N°	Nom	Qté.	Remarques
1	Contrôleur câblé	1	/
2	Vis de montage arrondie en bois	3	M4x20(pour fixation au mur)
3	Vis de montage arrondie en bois	2	M4x25(pour fixation au boîtier du commutateur électrique)
4	Manuel d'installation	1	/
5	Manuel d'utilisation	1	/
6	Tuyau d'extension en plastique	3	Pour fixation au mur
7	Barre de vis en plastique	1	Pour fixation sur le boîtier électrique 86
8	Câbles de commutation pour la carte de réception de signaux	1	Pour la connexion de la carte de réception de signaux et du fil blindé à 4 âmes
9	Câbles de commutation pour le signal du contrôleur câblé	1	(Le cas échéant) Pour la fixation du panneau de commande principal et du fil blindé à 4 âmes

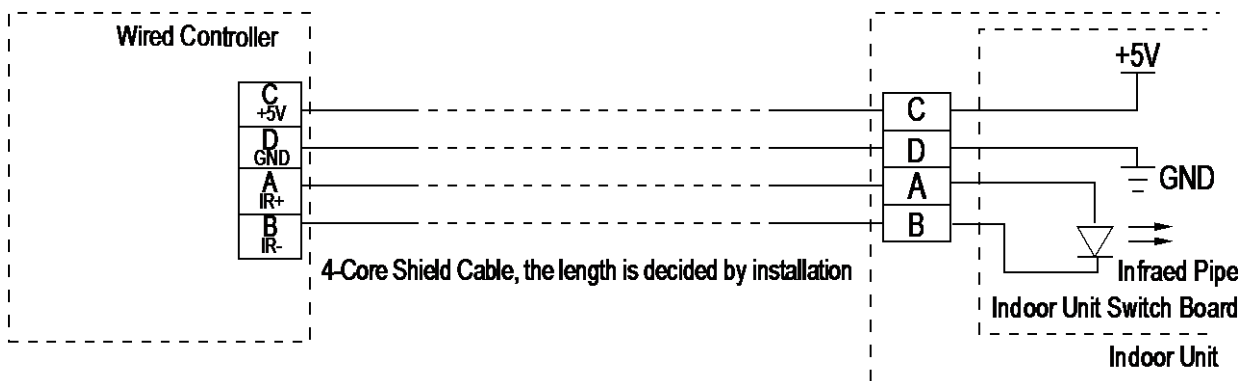
※ Préparer les pièces suivantes sur le site d'installation.

N°	Nom	Qté. (encastré dans la paroi)	Remarques concernant les spécifications (à titre de référence uniquement)	Remarques
1	Fil blindé à 4 âmes	1	RVVP-0,5 mm ² ×4	Câble 0,05 mm ² ×5, 12 M maximum
2	Boîtier électrique 86	1	/	/
3	Tube de câblage (manchon isolant et vis de serrage)	1	/	/

※ Dimensions :120*120*20 mm

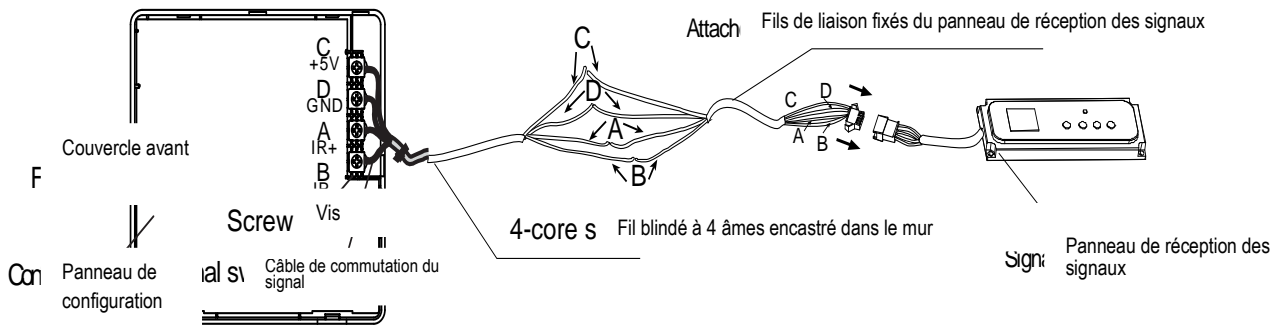


※ Croquis du câblage :

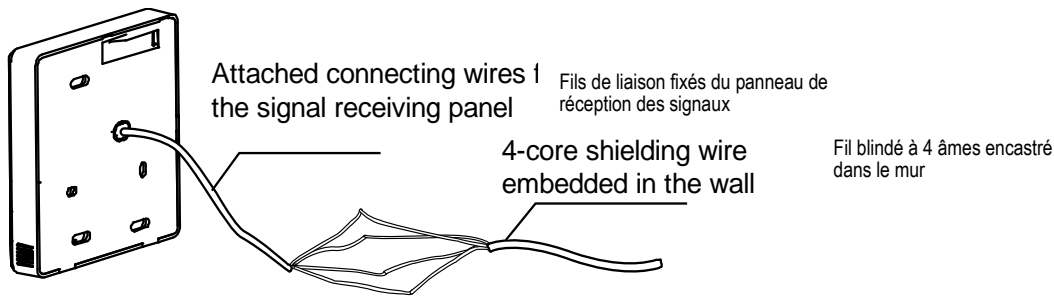


※ Illustration du câblage :

1) Connectez les deux bornes du fil blindé à 4 âmes aux câbles de commutation du contrôleur câblé et de la carte de réception de signaux. Assurez-vous que la séquence des 4 bornes (A/B/C/D) correspond à la séquence de câblage des câbles de commutation des signaux (A/B/C/D).

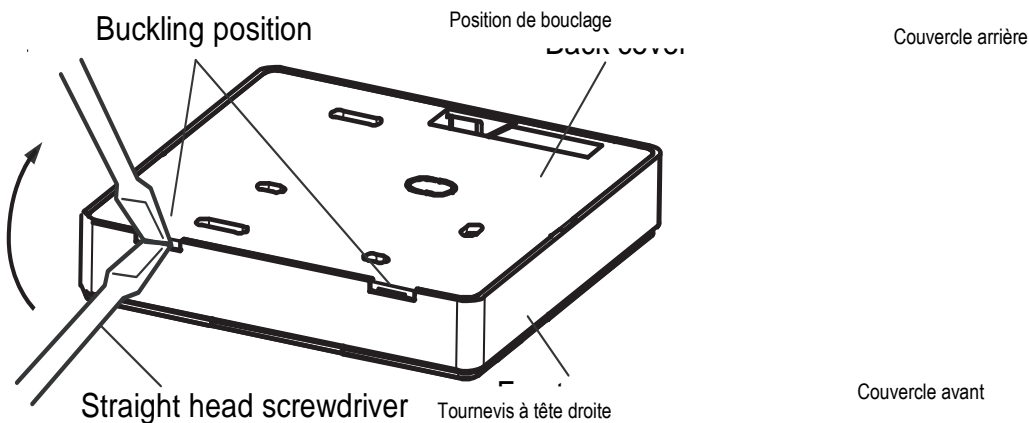


2) Si le fil blindé à 4 âmes encastré ne peut traverser le contrôleur câblé, il peut se connecter à l'aide de la commutation des signaux. Assurez-vous que les câbles sont fiables et solides. La plage de couple de serrage de la vis est comprise entre 0,8 et 1,2 N .m (8 et 12 kgf . cm).

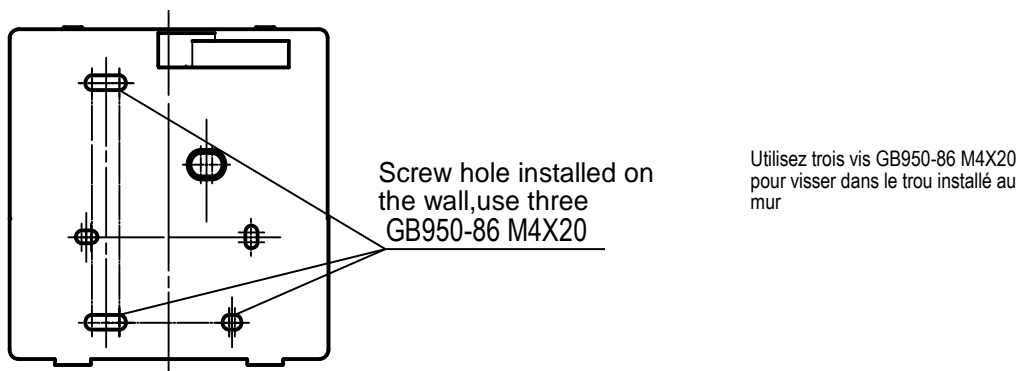


※ Installation du couvercle arrière

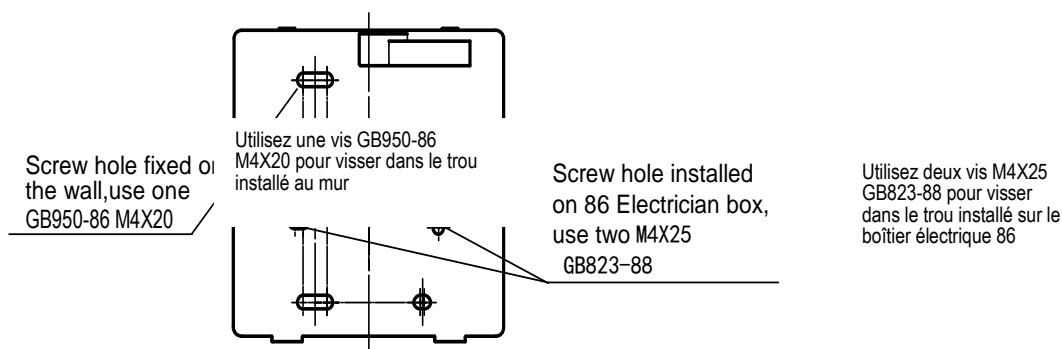
1) Utilisez un tournevis à tête droite pour l'insérer en position de bouclage au bas du contrôleur câblé, et effectuer les dévissages pour retirer le couvercle arrière. (Prêtez attention au sens du filetage, sinon vous risquez d'endommager le couvercle arrière.)



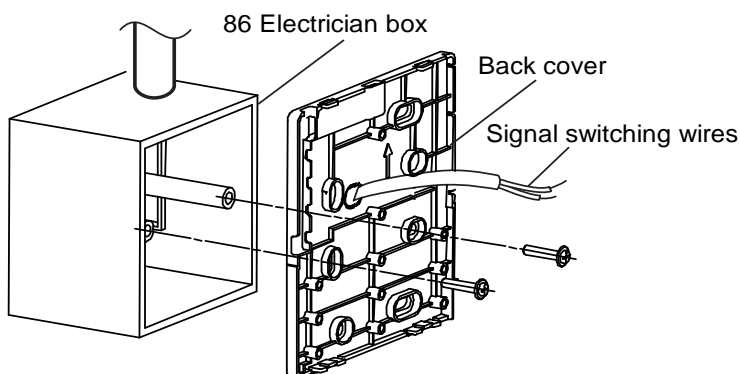
2) Utilisez trois vis M4X20 GB950-86 pour installer directement le couvercle arrière sur la paroi.



3) Utilisez deux vis M4X25 GB823-88 pour installer le couvercle arrière sur le boîtier électrique, et utilisez une vis M4X20 GB950-86 pour le fixer au mur.



4) Ajustez la longueur des deux barres de vis en plastique dans l'accessoire en une longueur normale entre la barre de vis du boîtier électrique et le mur. Lorsque vous installez la barre de vis sur la barre de vis du boîtier électrique, prenez soin de l'aplatir autant que possible contre le mur.



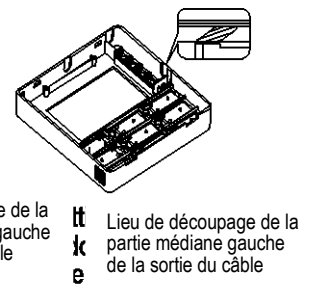
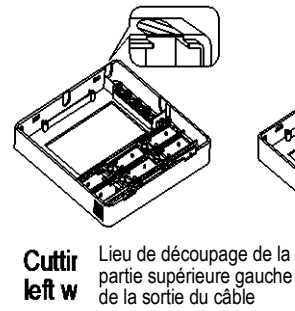
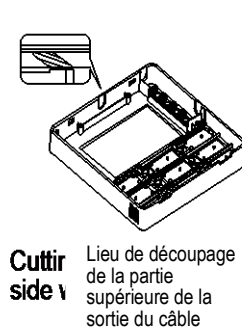
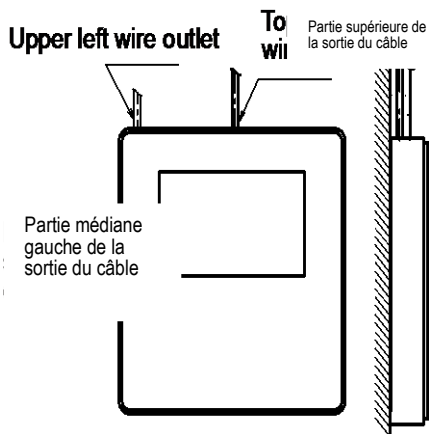
Remarques : 1. Utilisez des vis cruciformes pour fixer le couvercle inférieur du contrôleur câblé au boîtier de commande électrique à travers la barre de vis. Assurez-vous que le couvercle inférieur du contrôleur câblé se trouve au même niveau après l'installation, puis réinstallez le contrôleur câblé sur le couvercle arrière.

2. Le serrage excessif de la vis entraînera la déformation du cou

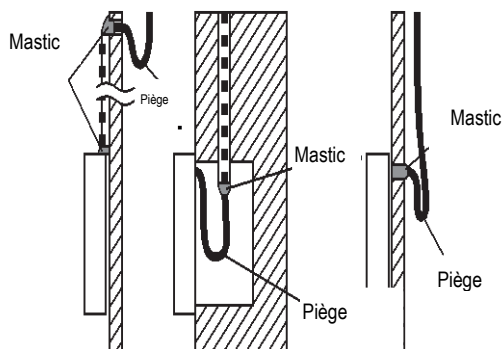
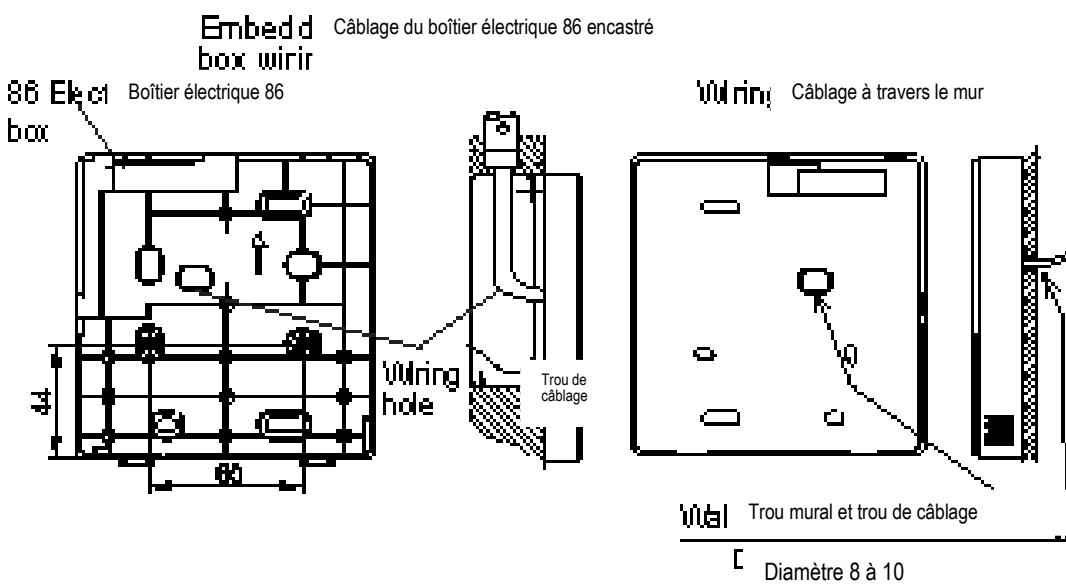
※ Câblage

1) Câblage, trois positions de sortie

Partie supérieure gauche de la sortie du câble



2) Fils blindés

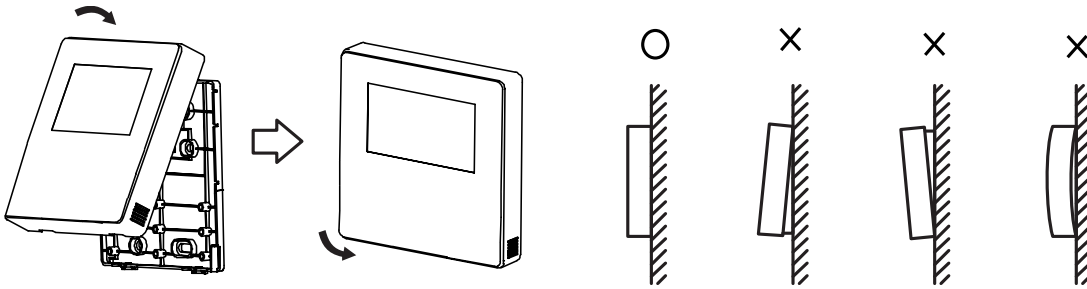


3) Evitez que de l'eau entre dans le contrôleur câblé ; utilisez un piège et du mastic pour sceller les connecteurs de câbles lors de l'installation des câbles.

Pendant l'installation, prévoyez une certaine longueur de fil de liaison pour faciliter le retrait du contrôleur câblé pendant la maintenance.

※ Installation du couvercle avant

- 1) Après avoir réglé le couvercle avant et après l'avoir bouclé, évitez de serrer le câble de commutation des communications lors de l'installation.
- 2) Installez correctement le couvercle arrière et bouclez solidement le couvercle avant et le couvercle arrière, sinon le couvercle avant peut se détacher.



※ Configuration des paramètres initiaux du contrôleur :

1. Modifiez les fonctions connexes du contrôleur en réglant ses paramètres initiaux. Pour plus de détails, consultez le tableau 1.
2. Les paramètres initiaux du contrôleur câblé incluent deux codes « XY » ; le premier code « X » désigne la classe fonctionnelle, et le deuxième code « Y » désigne la configuration détaillée de cette fonction.
3. Méthode de configuration :
 - 1) Appuyez simultanément sur le bouton « Mode » et le bouton « Fan » du contrôleur câblé pendant 5 secondes pour passer à l'état de configuration des paramètres ;
 - 2) La valeur de ce premier code « Y » est « 0 » ; appuyez sur les boutons Haut et Bas de réglage de température pour régler la valeur du deuxième code.
 - 3) Après avoir réglé la valeur du deuxième code, appuyez sur le bouton 26/OK pour faire basculer le premier code à la valeur suivante ;
 - 4) Lorsque la valeur du premier code est « 6 », appuyez de nouveau sur le bouton 26/OK pour quitter la configuration des paramètres.
4. La configuration des paramètres fonctionne uniquement lorsqu'il est nécessaire de régler les états de réglage des fonctions par défaut ; sinon il est inutile d'effectuer la configuration.

Tableau 1

Premier code	Fonctions	Deuxième code				
		0	1	2	3	4
0	Sélection Climatisation seulement/ Climatisation- Chauffage	Climatisation- Chauffage (valeur par défaut)	Climatisation seulement	/		/
1	Configuration de l'adresse de communication de l'unité intérieure	Oui (valeur par défaut)	Aucun	/	/	/
2	Redémarrage automatique	Oui (valeur par défaut)	Aucun	/	/	/
3	Fonction de rappel de nettoyage du filtre à air	Annuler la fonction de rappel	1 250 heures	2500 heures (valeur par défaut)	5 000 heures	10000 heures
5	Fonction de réception du signal distant	Oui (valeur par défaut)	Aucun	/	/	/
6	Affichage en degrés Celsius/ Fahrenheit	Celsius	Fahrenheit	/	/	/



Inspiration, Innovation, Evolution



MAIN OFFICE

Blasco de Garay, 4-6
08960 Sant Just Desvern
(Barcelona)
Tel. 93 480 33 22
www.frigicoll.com
www.kaysun.es

DEPARTMENTS (Fax)

HVAC and Energy 93 480 33 23
Catering/Hotel and Cooling 93 371 59 10
Household Appliances 93 371 59 10
Transport Refrigeration 93 473 31 40
Spare Parts 93 473 27 02

MADRID

Senda Galiana, 1
Polígono Industrial Coslada
28820 Coslada (Madrid)
Tel. 91 669 97 01
Fax 91 674 21 00
madrid@frigicoll.es

OFICINA CENTRAL

Blasco de Garay, 4-6
08960 Sant Just Desvern
(Barcelona)
Tel. 93 480 33 22
www.frigicoll.com
www.kaysun.es

AREAS DE NEGOCIO (Fax)

Climatización y Energía 93 480 33 23
Hostelería y Refrigeración 93 371 59 10
Electrodomésticos 93 371 59 10
Transporte 93 473 31 40
Recambios 93 473 27 02

MADRID

Senda Galiana, 1
Polígono Industrial Coslada
28820 Coslada (Madrid)
Tel. 91 669 97 01
Fax 91 674 21 00
madrid@frigicoll.es

BUREAU CENTRAL

Blasco de Garay, 4-6
08960 Sant Just Desvern
(Barcelona)
Tel. +34 93 480 33 22
www.frigicoll.com
www.kaysun.es

SERVICE COMMERCIAL (Fax)

Climatisation et énergie +34 93 480 33 23
Hôtellerie et réfrigération +34 93 371 59 10
Électroménagers +34 93 371 59 10
Transport +34 93 473 31 40
Pièces de rechange +34 93 473 27 02

MADRID

Senda Galiana, 1
Polígono Industrial Coslada
28820 Coslada (Madrid)
Tél. +34 91 669 97 01
Fax +34 91 674 21 00
madrid@frigicoll.es
